



Main Features

- 3rd generation Intel® Core™ processor
- Intel® integrated HD 4000 graphic engine
- Compact and slim design
- Easy maintenance and upgrade
- USB 3.0, dual GbE LAN support
- WLAN/TV tuner support
- DirectX 11 support

Product Overview

NDiS M532 is an OPS-compliant media player powered by 3rd generation Intel® Core™ processors. Following open pluggable standard, NDiS M532 can perfectly fit into a myriad of OPS-panels and is compact in size. Yet, NDiS M532 has high scalability, allowing for easy storage capacity expansion through pluggable 2.5" storage unit and effortless functional extension through Mini Card expansion modules. Changing system memory is also made simple. In addition, NDiS M532 leverages the 3rd generation Intel® Core™ processors to deliver outstanding graphics whilst limiting the power usage. The superb but power-efficient NDiS M532 can therefore maximize visual impacts for digital signage applications.

Specifications

CPU Support

- 3rd generation Intel® Core™ rPGA socket type processor

Chipset

- Intel® QM77

Graphic

- Intel® integrated HD4000

Main Memory

- 1 x 204 pin SO-DIMM socket, support DDR3 1600 MHz with un-buffered and non-ECC SDRAM up to 8GB

I/O Interface-Front

- 1 x Power button
- 1 x Reset button
- 1 x HDD LED
- 2 x USB 3.0
- 1 x HDMI
- 1 x Audio Mic-in
- 1 x Audio Line-out
- 2 x RJ45 with LEDs for Gigabit LAN
- 1 x 2.5" HDD slot
- 2 x Antenna hole

I/O Interface-Rear

- 1 x TMDS
- 1 x DP
- 1 x UART

- 1 x Audio out L/R
- 2 x USB 2.0
- 1 x USB 3.0
- DC input +12V~+19V
- Control signals (PWR_STATUS, PS_ON#, PB_DET, CEC, SYS_FAN)

Storage Device

- 1 x 2.5" SATA storage bay for HDD/SSD

Expansion

- 1 x Mini-PCIe for optional WLAN/TV tuner module

Dimensions

- 200mm (W) x 119mm (D) x 30mm (H) (7.8" x 4.7" x 1.1")

Power Power Supply

- DC power input +12V~19V

Environment

- Operating temperature : ambient with air flow from 0°C to 45°C
- Storage temperature : -20°C to 80°C
- Humidity : 10 to 90% (non-condensing)

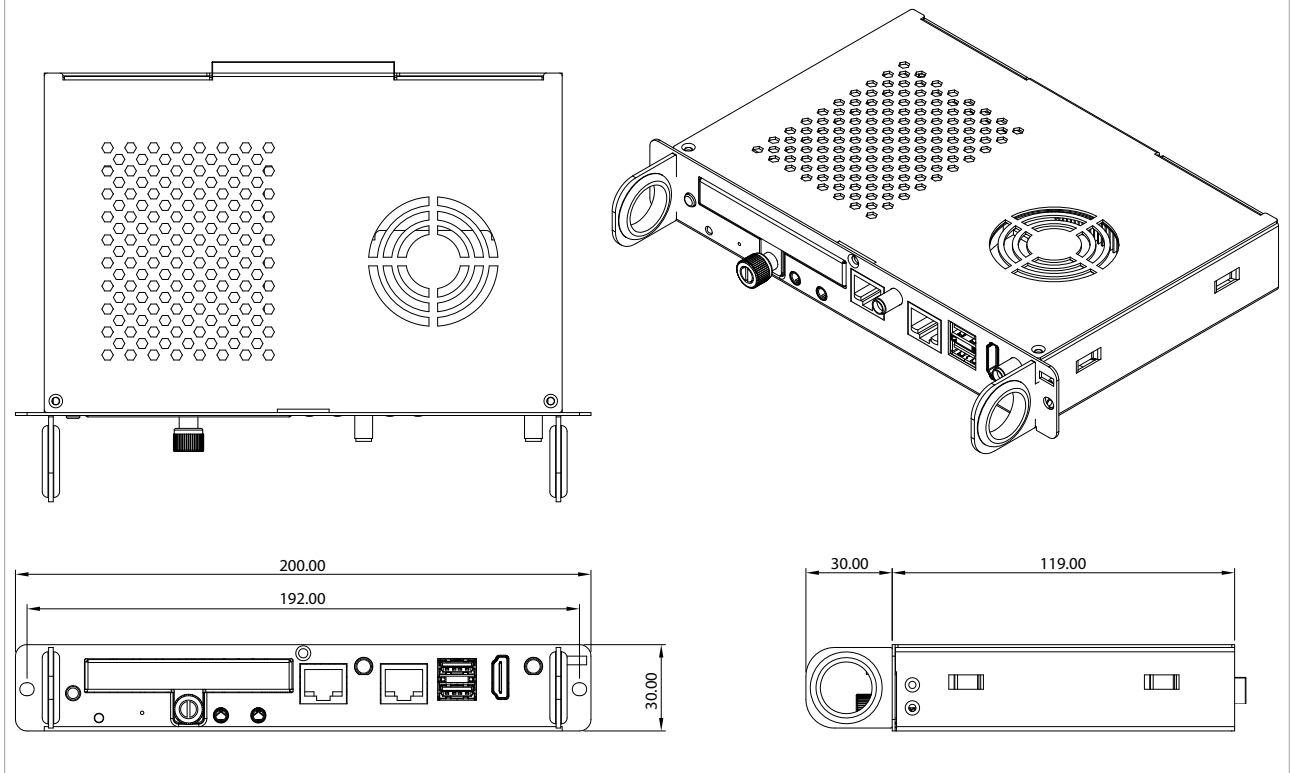
Certification

- CE approval
- FCC Class A

Operating System

- Win7/Win8/XP/WES7/WE8S/WES2009/Linux

Dimension Drawing



Ordering Information

- **NDIS M532 (P/N : 10W00M53200X0)**
3rd generation Intel® Core™ processor (up to 35W) OPS digital signage platform, Intel® QM77 chipset