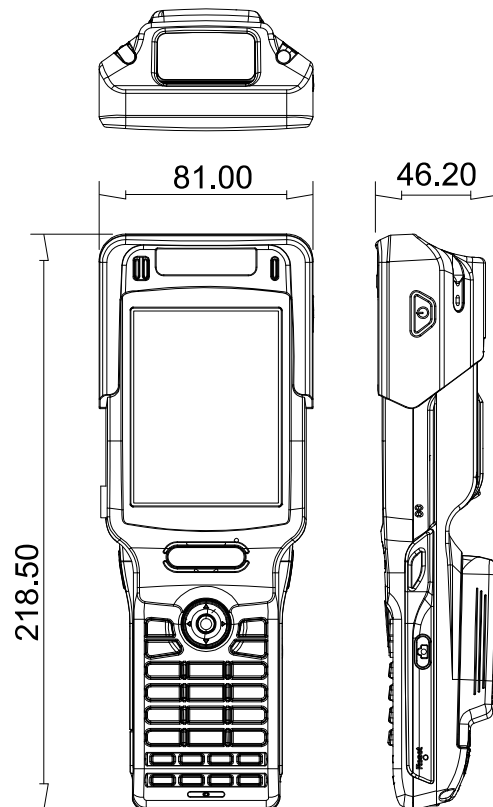


## Specifications

Model	MODAT-335	
Display	LCD Size	3.5" TFT LCD (Sunlight Readable)
	Brightness (cd/m <sup>2</sup> )	190 cd/m <sup>2</sup>
	Max Resolution	240(H) x 320(V) QVGA
	Viewing Angle	80/80/80/80 Deg.
Touch Screen	4-wire resistive type touch	
System	CPU	Marvell® PXA 310 624MHz
	Operating System	Microsoft® Windows® Mobile 6.5
	Memory	256MB Flash + 256MB SDRAM
	Storage	microSD Slot
Communication	Wireless LAN	Wi-Fi 802.11 b/g/n
	Bluetooth	Bluetooth 2.1+EDR
	Modem	WCDMA/HSDPA or GPRS
	GPS	GPS w/internal antenna
Data Collection	RFID	13.56 MHz RFID support ISO 15693 and 14443A/B compliant
	UHF (optional)	EPC Global Class1 Gen2 support ISO/IEC 18000-6 Type C and at least 1m reading distance
	Barcode	1D/2D Image Scan Engine
	Camera	3 megapixels CMOS Camera with LED Flash Light
Indicators & Buttons	LED Indicators	Wi-Fi enable / disable LED (Green) 3.5G or 2.5G enable / disable LED (Green) Charging Status / Full LED (Orange / Green)
	Hot Keys	2 x Barcode Key/ 1 x Camera Key
I/O Interface	Audio	1 x Headset and 1 x Speaker
	Expansion	1 x Mini USB Client 2.0 16-Pin connector (RS-232/ Battery Charging/ USB Host / USB Client)
Power	Power input	Input: 100V AC to 240V AC ~ 50-60Hz 0.2A Output: 5V / 2.1A
	Battery	3.7V 3000 mAh battery
Environment	Operating Temperature	-10°C~50°C
	Storage Temperature	-20°C~60°C
	Humidity	5%~90% non-condensing
	Drop Survival	1.5M
	Environmental Protection	IP 54
Certification	CE / FCC	
Physical Characteristics	Dimensions (LxWxH) (mm)	218.5 x 81 x 46.2
	Weight	405g

## MODAT-335 Dimensions (Unit: mm)



## Optional Accessory List

Item	Part No.	Description
Cradle	MODAT-300-CR01-R10	Charging cradle with USB Client
Battery Pack	31603-000017-RS	3.7V 3000 mAh Battery
16-pin Cable	32024-001500-100-RS	Connect to USB Host, USB Client and RS-232
Handle Grip	MODAT-335-GRIP-R10	Removable handle grip can trigger 1D/2D barcode
UHF Reader	MODAT-335-UHF-R10	Ultra high frequency (UHF) reader with 3000 mAh battery.

## Ordering Information

Part No.	Description
MODAT-335-WB65-En	3.5" TFT-LCD, Enterprise PDA with Marvell® PXA 310 624MHz CPU, 802.11 b/g Wireless, Bluetooth, HSDPA, GPS, 1D/2D Barcode Scanner, RFID, 3M Pixels Camera, Windows Mobile 6.5 OS, RoHS
MODAT-335-GPRS-WB65-En	3.5" TFT-LCD, Enterprise PDA with Marvell® PXA 310 624MHz CPU, 802.11 b/g Wireless, Bluetooth, GPRS/GSM, GPS, 1D Barcode Scanner, RFID, 3M Pixels Camera, Windows Mobile 6.5 OS, RoHS
MODAT-335-1D-WB65-En	3.5" TFT-LCD, Enterprise PDA with Marvell® PXA 310 624MHz CPU, 802.11 b/g Wireless, Bluetooth, 1D Barcode Scanner, 3M Pixels Camera, Windows Mobile 6.5 OS, RoHS

## Packing List

Item	Part No.	Q'ty
Battery Pack	31603-000017-RS	1
USB Cable	32001-000301-100-RS	1
AC-DC Adapter	63040-330010-000-RS	1
Headset	30900-000001-RS	1
Stylus	7Z000-43150003C000RS-RS	1

## Support Function

Part No.	Wi-Fi	Bluetooth	Modem	GPS	Barcode	RFID	Camera
MODAT-335-WB65-En	Wi-Fi 802.11 b/g/n	Bluetooth 2.1+EDR	WCDMA/HSDPA	GPS w/internal antenna	1D/2D Image Scan Engine	13.56 MHz RFID support ISO 15693 and 14443A/B compliant	3M Pixels Camera
MODAT-335-GPRS-En	Wi-Fi 802.11 b/g/n	Bluetooth 2.1+EDR	GPRS/GSM	GPS w/internal antenna	1D Laser Scan Engine	13.56 MHz RFID support ISO 15693 and 14443A/B compliant	3M Pixels Camera
MODAT-335-1D-WB65-En	Wi-Fi 802.11 b/g/n	Bluetooth 2.1+EDR	N/A	N/A	1D Laser Scan Engine	N/A	3M Pixels Camera

