

ECW-281B-QGW

QTS-Gateway for Fanless Embedded System with Intel® Celeron® J1900 Processor



Features

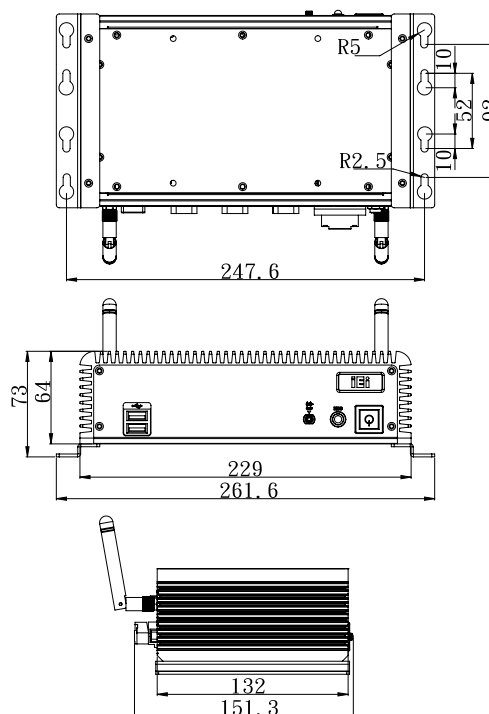
- Fanless system with Intel® Celeron® J1900 Processor
- Supports four COM ports (three RS-232, one RS-422/485)
- 9~36V DC input support
- Wide operating temperature: -20°C ~ 60°C with SSD
- Pre-install QTS-Gateway



Specifications

Model Name		ECW-281B-BT	
Chassis	Color	Black	
	Dimensions (WxHxD) (mm)	229 x 64 x 132	
	System Fan	Fanless	
	Chassis Construction	Aluminum alloy with heavy duty metal	
Motherboard	Motherboard Model	WAFER-BT-i1	
	SBC Size (mm)	3.5", 146 x 102	
	CPU	Intel® Celeron® J1900 processor (2 GHz, quad-core, 2 MB cache, TDP=10W)	
	Chipset	SoC	
System Memory	System Memory	1 x 204-pin 1066/1333 MHz single-channel DDR3L SO-DIMM (system max. 8 GB)	
	iRIS Solution	1 x iRIS-1010-R10 (optional)	
Storage	Hard Drive	1 x 2.5" SATA 3Gb/s HDD bay	
I/O Interfaces	USB 3.0	1	
	USB 2.0	3	
	Ethernet	LAN 1: PCIe GbE by Intel® I210 controller LAN 2: PCIe GbE by Intel® I211 controller	
	COM Port	3 x RS-232 1 x RS-422/485	
	Digital I/O	8-bit digital I/O	
	Display	1 x VGA	
	Resolution	VGA: Up to 2560x1600@60Hz	
	Audio	1 x Line out	
	Expansion	PCIe Mini	1 x Half-size PCIe Mini card (only for iRIS)
	Power	Power Input	3-pin terminal: 9 V~36 V DC
Consumption		12V@1.45A (with Intel® Celeron® J1900 CPU and one 8 GB 1333 MHz DDR3 memory)	
Reliability	Mounting	Wall mount, VESA 100	
	Operating Temperature	-20°C~60°C with air flow (SSD), 10% ~ 95%, non-condensing	
	Storage Temperature	-20°C ~ 60°C	
	Operating Shock	Half sine wave 5G, 11ms 3-axis (non-operational)	
	Operating Vibration	MIL-STD-810F 514.5C-1 (HDD)	
	Weight (Net/Gross)	2.1 kg / 3.9 kg	

Dimensions (Unit: mm)



Options

Part No.	Description
iRIS-1010-R10	IPMI 2.0 adapter card with AST1010 BMC chip (W/O KVM over IP function) for PCIe Mini socket interface
ECW-281B-BTi-WES7E64-R10	OS Image with Windows® Embedded Standard 7 E 64Bit for ECW-281B-Ti Series, with DVD-ROM, RoHS, R10

Packing List

1 x Wall mount bracket	1 x Screw set
1 x 12V 60W power adapter only for 12V	1 x Utility CD
1 x One Key Recovery CD	

Ordering Information

Part No.	Description
ECW-281BWD-BTi-QGW-R10	Fanless embedded system with WAFER-BTi-R10, with Intel® Celeron J1900 2GHz, 4 serial ports, with 4GB DDR3L pre-installed SO-DIMM memory, with QTS-Gateway, 9~36VDC in, w/o adapter, black, RoHS