

IOVU-10F-AD

10.1" RISC Base Panel PC



Features

- 10.1" 1280x800 LCD
- Project Capacitive Touch Screen
- CPU: Freescale i.MX6 Cortex-A9 Quad-Core 1GHz
- OS: Android 4.2.2
- Boot Flash: 4GB eMMC Nand Flash
- RAM: 1GB DDR3 SDRAM on board



Specifications

Model	IOVU-10F-AD
LCD Size	10.1 " (16:9)
Resolution	1280(W) x 800(H)
Brightness (cd/m2)	400
Contrast Ratio	800:1
LCD Color	16.2M
Pixel Pitch (mm)	0.1695 x 0.1695
Viewing Angle	85/85/85/85 Deg.
Backlight MTBF(hrs)	30000
Touch Screen	Project Capacitive
CPU	Freescale i.MX6 Cortex A9 Quad-Core 1.0GHz
RAM	1GB DDR3 SDRAM
Boot Flash	4GB eMMC Nand Flash
Boot Flash OS Support	Android 4.2.2
Input / Output	1 x 10/100/1000 Mbps 2 x USB 2.0 1 x RS-232/422/485 support software controllable(DB9) 1 x RS-232 Full-Function (DB9) 1 x 13.56MHz 1 x DC jack 1 x On/Off power switch 1 x Reset button 1 x SD slot (Hidden)
Audio	1 x 2W Speaker
Thermal Solution	Fanless
Wireless	BT4.0 + Wi-Fi Controller for 802.11b/g/n
Construction Material	Plastic front cover and metal rear cover
Mounting	Panel, Wall, Stand, VESA Mount 100mm x 100mm
Color	White
Dimensions (WxHxD)(mm)	293x209.5x44.49
Operating Temperature	0°C ~ 40°C
Storage Temperature	-10°C ~ 60°C
Humidity	5%~90% non-condensing
IP Level	IP54 front panel only
Power Requirement	9~30V DC

1

IEIMobile Solutions

2

Automation Panel Solutions

3

Healthcare Panel PC Solution

4

Industrial System

5

ORing Network Communication

6

Automation Control

7

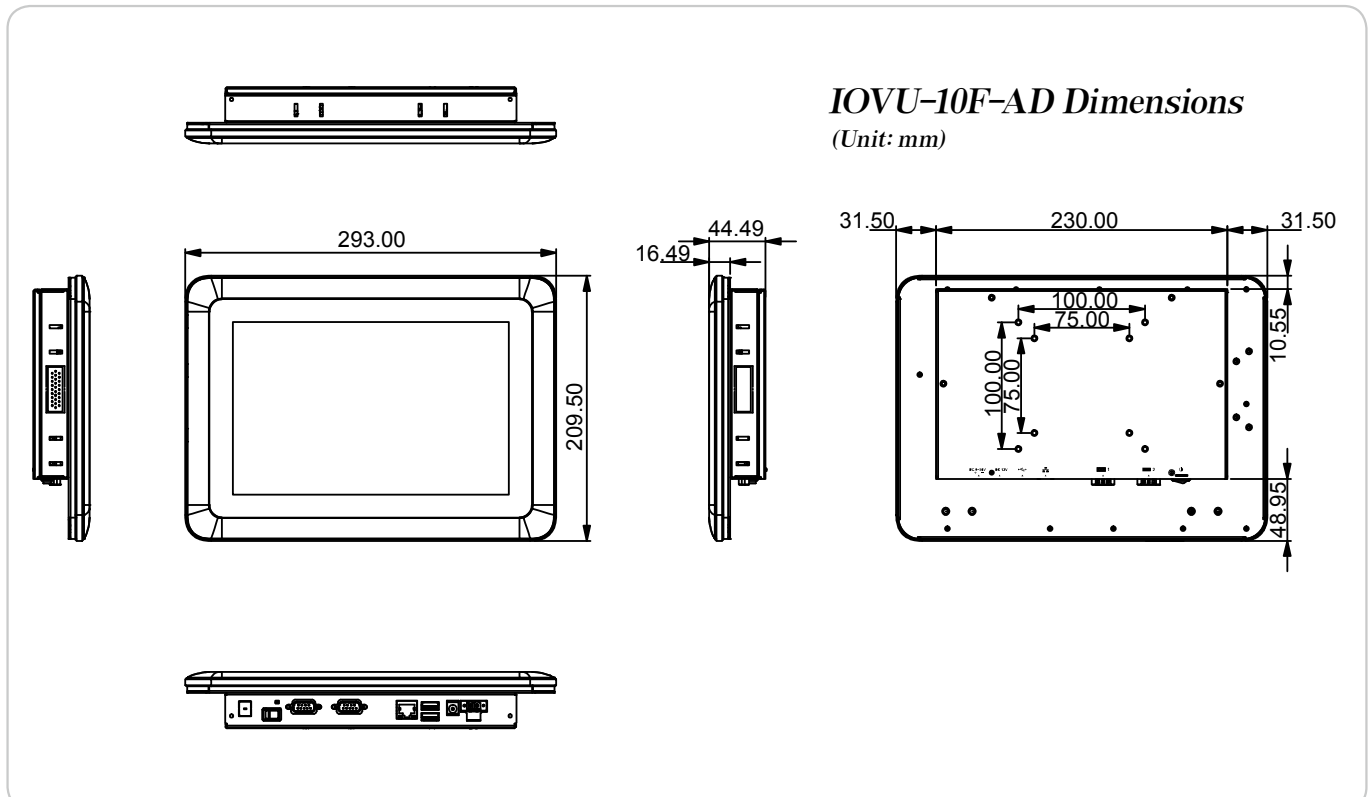
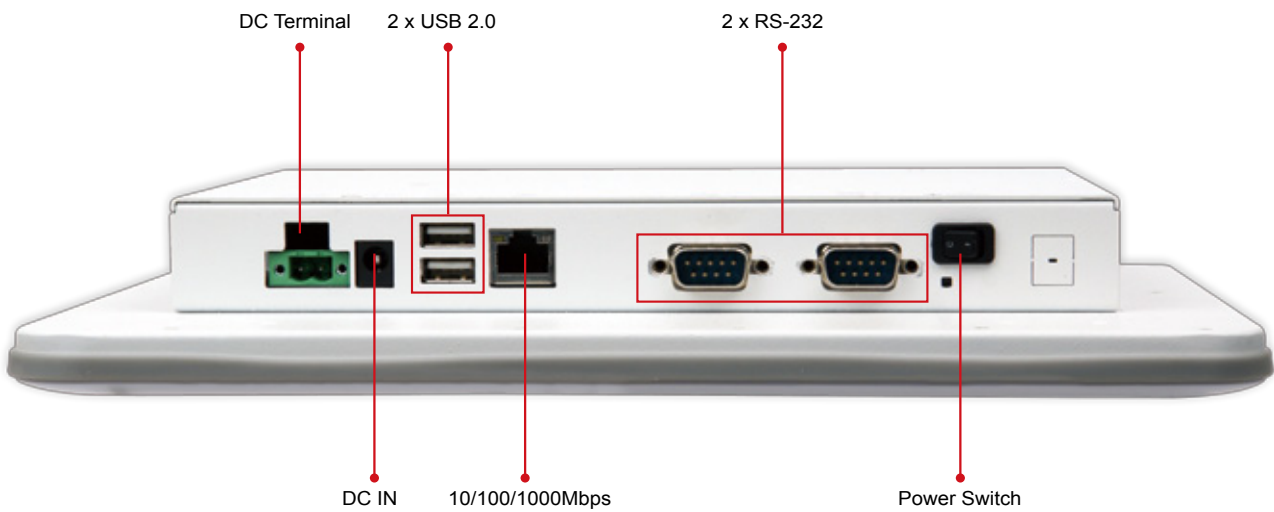
Optional Peripherals

Ordering Information

Part No.	Description
IOVU-10F-AD-WB-ET-R10	10.1" TFT-LCD, Freescale i.MX6 Cortex-A9 QC 1GHz, Wi-Fi/BT, 13.56MHz RFID, Android 4.2

Options

Part No.	Description
Power Adapter	63040-010060-130-RS (Vin:90~264VAC;60W;Vout:12VDC)
ARM	ARM-11-RS
Stand	STAND-A12-RS
Wall Mount Kit	AFLWK-19B
Panel Mount Kit	FPK-01-R10



1
IEIMobile Solutions

2
Automation Panel Solutions

3
Healthcare Panel PC Solution

4
Industrial System

5
ORing Network Communication

6
Automation Control

7
Optional Peripherals