

17" SXGA AFOLUX Panel PC

AFL-17i(E)-HM55

Intel® Core™ i7/i5/i3/Celeron® Processor

**New HM55 Platform Features:**

- Powered by high performance 2.66 GHz Intel® Core i7-620M CPU with Intel® HM55 chipset
- DDR3 1066MHz system memory up to 4GB
- HDMI port delivers high image quality on the second display
- IEI One Key Recovery solution allows you to create rapid OS backup and recovery (over 4GB storage capacity is suggested)

**Specifications**

Model	AFL-17i-HM55
LCD Size	17"
Max Resolution	1280 x 1024
Brightness (cd/m ²)	380
Contrast Ratio	800 : 1
LCD Color	16.7M
Pixel Pitch (mm)	0.264 (H) x 0.264 (V)
Viewing Angle (H-V)	160° / 160°
Backlight MTBF	50000 hrs
SBC Model	AFLMB2-HM55-R10
CPU	Intel® Core™ i7/i5/i3/Celeron® Processor
Chipset	Intel® HM55
RAM	Two 204-pin 800/1066MHz DDR3 dual-channel SO-DIMMs supported (Max. 8GB)
I/O Ports	1 x RS-232 COM Port 1 x RS-232/422/485 COM Port 2 x RJ-45 for Giga LAN 4 x USB 2.0 1 x Power Switch 1 x Reset Button 1 x Audio Port (Line-Out) 1 x VGA 1 x Power Jack 1 x HDMI Port
Storage	SATA SSD
Watchdog Timer	Software programmable supports 1~255 sec. system reset
Audio	AMP 3W + 3W (internal speakers)
Wireless Connection	1 x Wireless LAN 802.11b/g/n Module (internal PCIe Mini card interface)
Drive Bay	1 x 2.5" SATA HDD bay
Construction Front Panel	ABS + PC Plastic front frame
Membrane Keypad	LCD On/Off, Brightness Up/Down, Volume Up/Down (5 keys)
LED Function	1 x Power on/off LED on front panel
Mounting	Panel, Wall, Rack, Stand and Arm VESA 100mm x 100mm
Front Panel Color	Silver (877U) & Gray (ABSA2037)
Dimensions (WxHxD) (mm)	428 x 350 x 71
Operation Temperature (°C)	0°C ~ 50°C
Storage Temperature (°C)	-20°C ~60°C
N/G Weight	6.0 Kg
IP Level	IP 64 compliant front panel
Touch Screen	5-wire resistive type (touch controller IC is on board)
Power Adapter	P/N: 63000-FSP096AHB-RS 96W Power Adapter (Meet PSE) Input: 90VAC~264VAC, 50/60Hz Output: 12VDC
Power Requirement	12VDC
Power Consumption	85W

AFL-17i(E)-2014-V11

17" SXGA AFOLUX Panel PC

AFL-17D-N270

Intel® Atom™ N270 1.6GHz Processor

**Deep Glossy
Black Surface****Digital Camera:**
300K Camera with Low Light Function

5-key membrane keypad



Easy access CF card



Convenient USBs on the side



Built-in ODD (optional)

Specifications

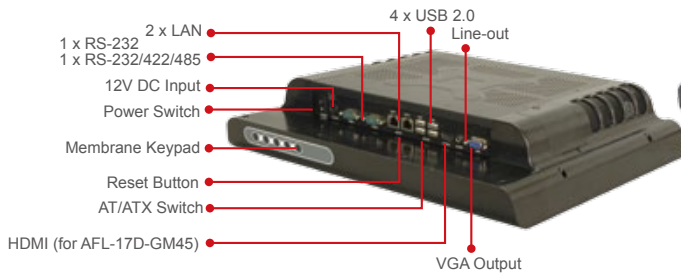
Model	AFL-17D-N270
LCD Size	17"
Max Resolution	1280 x 1024
Brightness (cd/m ²)	300
Contrast Ratio	800 : 1
LCD Color	16.7M
Pixel Pitch (mm)	0.264 (H) x 0.264 (V)
Viewing Angle (H-V)	160° / 160°
Backlight MTBF	50000 hrs
SBC Model	AFLMB2-N270-R10
CPU	Intel® Atom™ processor N270 1.6GHz CPU
Chipset	Intel® 945GSE + ICH7M
RAM	Supports one 400MHz or 533MHz DDR2 SO-DIMMs (Max. 2GB)
I/O Ports	1 x RS-232 COM port 1 x RS-232/422/485 COM port 2 x RJ-45 for Giga LAN 4 x USB 2.0 1 x Power switch 1 x Reset button 1 x Audio port 1 x VGA port 1 x Power jack
Storage	CF Type II
Watchdog Timer	Software programmable supports 1~255 sec. system reset
Audio	AMP 3W + 3W (internal speakers)
Camera Module	300K pixel with digital microphone
Wireless Connection	1 x Wireless LAN 802.11b/g/n Module (internal PCIe Mini card interface) Telec certified
Drive Bay	1 x 2.5" SATA HDD bay, 1 x Slim Type CD-ROM bay
Construction Front Panel	ABS + PC Plastic front frame
Membrane Keypad	LCD On/Off, Brightness Up/Down, Volume Up/Down (5 keys)
LED Function	1 x Power on/off LED on front panel
Mounting	Panel, Wall, Rack, Stand and Arm VESA 100mm x 100mm
Front Panel Color	Black C
Dimensions (WxHxD) (mm)	410 x 349 x 83
Operation Temperature (°C)	0°C ~40°C with SATA HDD -10°C ~50°C with CF Card or SATA interface 2.5" SSD HDD
Storage Temperature (°C)	-20°C ~60°C
N/G Weight	6.2 Kg
IP Level	IP 64 compliant front panel
Safety & EMC	CE / FCC
Touch Screen	5-wire resistive type (touch controller IC is on board)
Power Adapter	P/N: 63000-FSP084DMBA1308-RS 84W Power Adapter Input: 90VAC~264VAC, 50/60Hz Output: 12VDC
Power Requirement	12VDC
Power Consumption	58W

Fanless

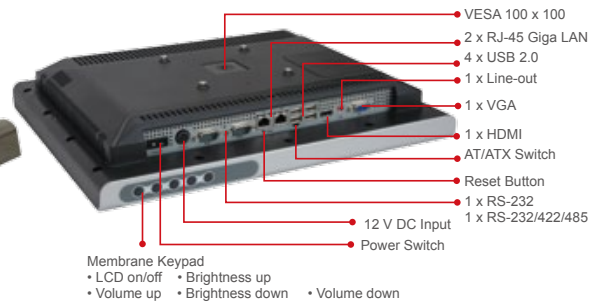
AFL-17D-2014-V11

Fully Integrated I/O

• AFL-17D-N270

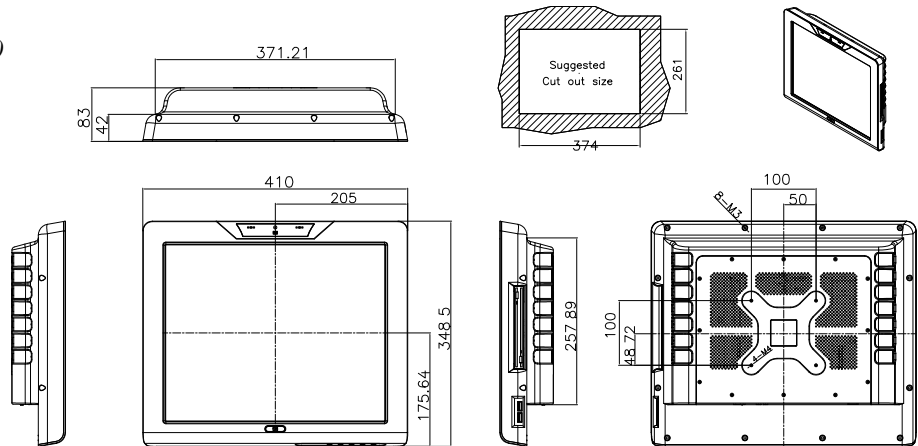


• AFL-17i-HM55



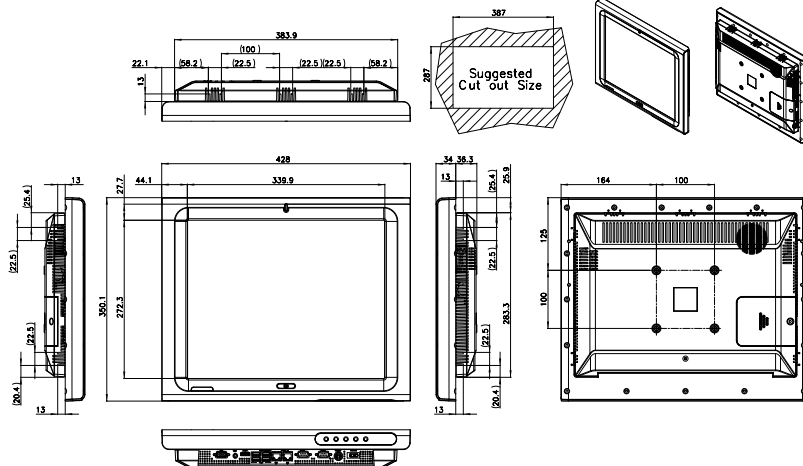
AFL-17D

Dimensions (Unit: mm)



AFL-17i-HM55

Dimensions (Unit: mm)



Ordering Information

Part Number	Description
AFL-17D-N270/R/1G-R23	17" 300cd/m ² SXGA fanless panel PC with Intel® Atom™ N270 1.6GHz CPU, 1GB DDR2 RAM, 802.11b/g/n wireless module, touch screen, 2M camera, microphone, R23
AFL-17D-N270/RD/1G-R23	17" 300cd/m ² SXGA fanless panel PC with Intel® Atom™ N270 1.6GHz CPU, 1GB DDR2 RAM, 802.11b/g/n Wi-Fi, touch screen, 2M camera, microphone, DVD-COMBO, R23
AFL-17i-HM55-P45/R/1G-R12	17" 380cd/m ² SXGA panel PC with Intel® Celeron® P4500 1.86G CPU, 1GB DDR3 RAM, 802.11b/g/n wireless module, touch screen, R12
AFL-17i-HM55i3-35/R/2G-R12	17" 380cd/m ² SXGA panel PC with Intel® Core™ i3-350M 2.26G CPU, 2GB DDR3 RAM, 802.11b/g/n wireless module, touch screen, R12
AFL-17i-HM55i5-52/R/2G-R12	17" 380cd/m ² SXGA panel PC with Intel® Core™ i5-520M 2.4G CPU, 2GB DDR3 RAM, 802.11b/g/n wireless module, touch screen, R12
AFL-17i-HM55i7-62/R/2G-R12	17" 380cd/m ² SXGA panel PC with Intel® Core™ i7-620M 2.66G CPU, 2GB DDR3 RAM, 802.11b/g/n wireless module, touch screen, R12

ISMM Supported Functions

	Voltage	Fan	Smart Fan	Temperature	WDT
AFL-17i-HM55	V	V	V	V	V
AFL-17D-N270	V			V	V

Packing List

Item	Part Number	Q'ty	Specification
Screw Pack	44013-030041-RS	4	M3; 5mm
Power Adpater	63000-FSP084DMBA1308-RS 63000-FSP084DMBA1308-RS 63000-FSP096AHB-RS	1	90~264V AC; 12V DC; 84W (17D-N270) 90~264V AC; 12V DC; 96W (17i-HM55) (Meet PSE)
Power Cord	32000-000002-RS	1	1750mm; European Standard
Utility CD	7B000-000087-RS	1	
Touch Pen	43125-0002C0-00-RS	1	
One Key Recovery CD		1	

Options

Model	AFL-17D-N270	AFL-17i-HM55
Panel Mounting Kit	AFLPK-17D	AFLPK-17B
Wall Mounting Kit	AFLWK-19B	
Rack Mounting Kit	AFLRK-17D-R11	N/A
Arm	ARM-11-RS / ARM-31-RS	
Stand	STAND-A19-RS / STAND-A21-R10 / STAND-210-R11	
OS: Win CE 6.0 (128 MB CF card)	AFLCF-15-N270-CE060-R30	N/A
OS: Win XPE (1 GB CF card)	AFLCF-15-N270-XPE-R30	AFLSD-15-HM55-2G-XPE-R20 (2GB SATA SSD)
OS: Win 7 Embedded (4GB CF card)	AFLCF-15-N270-WES7E-R30	AFLSD-15-HM55-4G-WES7E-R20 (4GB SATA SSD)
Magnetic Stripe Reader	N/A	AFLP-17BMSR-U
DC 12V Input UPS	AUPS-B10-R10 (VESA 100, DC 12V input, 12V output 100W UPS module with 3800mAh)	
DC 9~36V Input UPS	AUPS-B20-R10 (VESA 100, DC 9~36V input, 12V output 100W UPS module with 3800mAh)	
Bluetooth V2.0+EDR	AFL-BT-KIT04-R10	AFL-BT-KIT01-R10

Note: Win CE application without digital microphone function