

# ECW-281B-BT

Fanless Embedded System with Intel® Celeron® J1900 Processor



## Features

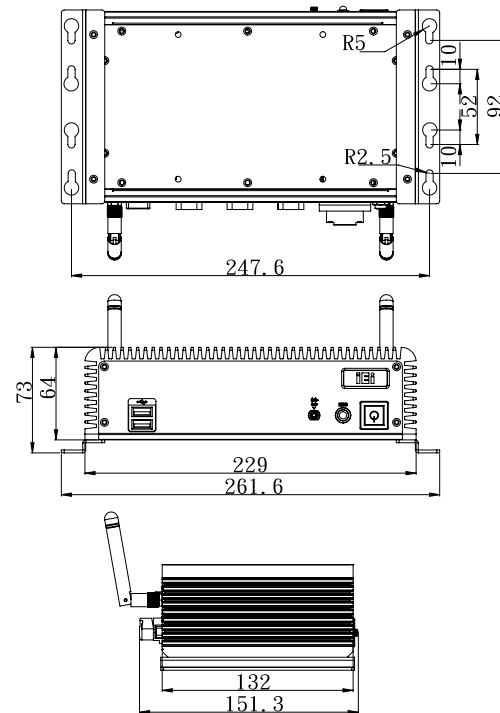
- Fanless system with Intel® Celeron® J1900 Processor
- Supports four COM ports (three RS-232, one RS-422/485)
- 12V DC and 9 V~36 V DC models available
- Wide operating temperature: -20°C ~ 60°C with SSD



## Specifications

Model Name	ECW-281B-BT	
Chassis	Color	Black
	Dimensions (WxHxD) (mm)	229 x 64 x 132
	System Fan	Fanless
	Chassis Construction	Aluminum alloy with heavy duty metal
Motherboard	Motherboard Model	WAFER-BT-i1
	SBC Size (mm)	3.5", 146 x 102
	CPU	Intel® Celeron® J1900 processor (2 GHz, quad-core, 2 MB cache, TDP=10W)
	Chipset	SoC
	System Memory	1 x 204-pin 1066/1333 MHz single-channel DDR3L SO-DIMM (system max. 8 GB)
IPMI	iRIS Solution	1 x iRIS-1010-R10 (optional)
Storage	Hard Drive	1 x 2.5" SATA 3Gb/s HDD bay
I/O Interfaces	USB 3.0	1
	USB 2.0	3
	Ethernet	LAN 1: PCIe GbE by Intel® I210 controller LAN 2: PCIe GbE by Intel® I211 controller
	COM Port	3 x RS-232 1 x RS-422/485
	Digital I/O	8-bit digital I/O
	Display	1 x VGA
	Resolution	VGA: Up to 2560x1600@60Hz
	Audio	1 x Line out
	Wireless	1 x 802.11b/g/n (optional)
	Expansion	PCIe Mini
Power	Power Input	DC jack: 12 V DC 3-pin terminal: 9 V~36 V DC
	Consumption	12V@1.45A (with Intel® Celeron® J1900 CPU and one 8 GB 1333 MHz DDR3 memory)
Reliability	Mounting	Wall mount, VESA 100
	Operating Temperature	-20°C~60°C with air flow (SSD), 10% ~ 95%, non-condensing
	Storage Temperature	-20°C ~ 60°C
	Operating Shock	Half sine wave 5G, 11ms 3-axis (non-operational)
	Operating Vibration	MIL-STD-810F 514.5C-1 (HDD)
Weight (Net/Gross)	2.1 kg / 3.9 kg	

## Dimensions (Unit: mm)



## Options

Part No.	Description
iRIS-1010-R10	IPMI 2.0 adapter card with AST1010 BMC chip (W/O KVM over IP function) for PCIe Mini socket interface
EMB-WIFI-KIT01-R11	1T1R Wi-Fi module kit for embedded system, 1 x Wi-Fi module, 2 x RF cable, 2 x antenna, RoHS
ECW-281B-BT-WES7E-R10	OS image with Windows Embedded Standard 7 E for ECW-281B-BT Series, WES7E license label, with DVD ROM

## Packing List

1 x Power cord only for 12V	1 x Wall mount bracket
1 x 12V 60W power adapter only for 12V	1 x Utility CD
1 x Screw set	1 x One Key Recovery CD

## Ordering Information

Part No.	Description
12V DC Input ECW-281B-BT-J1/2GB-R10	Fanless embedded system with WAFER-BT-i, Intel® Celeron® J1900 2.42 GHz processor, four serial ports, pre-installed 2GB DDR3L SO-DIMM, 12 V DC-in, 60 W power adapter, black, RoHS
9 V~36 V DC Input ECW-281BWD-BT-J1/2GB-R10	Fanless embedded system with WAFER-BT-i, Intel® Celeron® J1900 2.42 GHz processor, four serial ports, pre-installed 2GB DDR3L SO-DIMM, 9 V ~ 36 V DC-in, black, RoHS

www.ipc2u.ru

www.ipc2u.de

www.sovio.com

Date:01.06.2016