

AFL2-W10A-N28

Intel® Atom™ N2800 Dual Core Processor

AFL2-10A-N28

Intel® Atom™ N2800 Dual Core Processor



AFL2-W10A-N28



Features

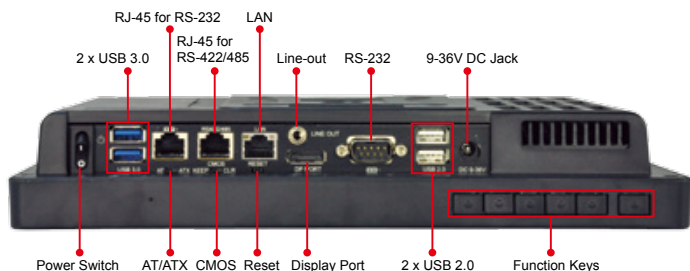
- Flat-bezel LCD with LED backlight
- Intel® Atom™ N2800 dual core 1.86 GHz processor
- One 1066 MHz 204-pin DDR3 SO-DIMM slot (system max. 4GB) pre-installed with 2GB
- 5-wire resistive type touch screen supported
- Wi-Fi 802.11b/g/n 2T2R high speed wireless
- EM or Mifare RFID reader
- Built-in 2M pixels webcam with AF, AE and AWB capabilities
- Built-in two 1.5W speakers and microphone
- IP 64 compliant front panel

Specifications

Model	AFL2-W10A-N28	AFL2-10A-N28	
LCD Specifications	Size	Wide 10.2"	10.4"
	Resolution	1024 (W) x 600 (H)	800 (W) x 600 (H)
	Brightness (cd/m ²)	400 cd/m ²	400 cd/m ²
	Contrast Ratio	400:1	700:1
	LCD Color	262K	262K/16.2M
	Pixel Pitch (mm)	0.2175 (H) x 0.2175 (V)	0.264 (H) x 0.264 (V)
	Viewing Angle (H-V)	140°(H) / 120°(V)	160°(H) / 140°(V)
	Backlight MTBF	30000 hrs (LED backlight)	30000 hrs (LED backlight)
Touch	Touch Screen	5-wire resistive type with RS-232 interface/ projected capacitive touch with USB interface	5-wire resistive type with RS-232 interface
	Touch Controller	PenMount DMC9000/EETI EX5404+EXC7200	PenMount DMC9000
System	CPU	Intel® Atom™ N2800 dual core 1.86 GHz CPU	
	Chipset	Intel® NM10	
	RAM	Support one 1066MHz 204-pin DDR3 SO-DIMM slot (max. 4GB)	
	Ethernet	Realtek RTL8111E PCIe GbE controller supporting ASF 2.0	
	Audio Codec	Realtek ALC892 HD Audio codec	
	HDD	2.5" SATA 2.0 HDD bay	
	Input / Output	1 x RS-232 COM Port (DB-9) 1 x RS-232 COM Port (RJ-45) 1 x RS-422/485 COM Port (RJ-45) 1 x GbE LAN (RJ-45) 2 x USB 2.0 2 x USB 3.0 1 x Audio jack 1 x Display port	1 x Mini USB 2.0 port on front panel 1 x MicroSD card slot on front panel 1 x Power switch 1 x AT/ATX switch 1 x Reset button 1 x Clear CMOS button 1 x DC input jack
Other Features	Audio	AMP 1.5 W + 1.5 W	
	Camera	2M pixels with low light function, digital microphone	
	RFID Reader	EM 125 KHz or Mifare 13.56 MHz card reader (optional)	
	MSR Card Reader	MSR card reader (optional)	
	OSD Function	LCD on/off, brightness up/down, volume up/down, hotkey	
Connectivity	System Cooling	Fanless	
	Wireless	IEEE 802.11b/g/n Telec certified	
Physical	Construction Front Panel	PC + ABS plastic front frame	
	Mounting	Wall, Rack, Stand, RACK Mounting and Arm VESA 75mm x 75mm	
	Color	Black	
	Dimensions (WxHxD) (mm)	280 x 198 x 51	282.5 x 242.7 x 51
	Weight (N/G)	2.5 kg / 4.02 kg	2.98 kg / 4.5 kg
Environment	Operating Temperature (°C) (Ambient with air flow)	-20°C ~ 45°C	
	Storage Temperature (°C)	-20°C ~ 60°C	
	Humidity	10% to 95% (non-condensing)	
	IP Level	IP 64 compliant front panel	
Power	Safety&EMC	CE / FCC	
	Power Supply	60W power adapter, Input: 90VAC~264VAC, 50/60 Hz, Output: 12VDC	
	Power Requirement	9 ~ 36 VDC	
Power Consumption	12V@2.35A (Intel® Atom™ N2800 CPU with 2GB DDR3 memory)	12V@2.75A (Intel® Atom™ N2800 CPU with 2GB DDR3 memory)	

AFL2-W10A-2014-V11

Rich I/O Interface



AFL2-10A-N28

1 x Mini USB port
1 x MicroSD card slot

- Fn
- Backlight On/Off
- Audio -
- Audio +
- Brightness -
- Brightness +
- + RFID Enable/Disable
- + Audio Mute
- + Camera Enable/Disable
- + Front Side USB Enable/Disable
- + Power On / Off

Options

Item	AFL2-W10A-N28	AFL2-10A-N28
Panel Mounting Kit		AFL2PK-10A
Wall Mounting Kit		AFLWK-12
Rack Mounting Kit	AFL2RK-W10A	AFL2RK-10A
Stand		STAND-C12-R10/STAND-A21-R10
V-stand		VSTAND-A10-R11
Magnetic Stripe Reader		AFL2P-12AMSR-U-R10
Bluetooth Module Kit		AFL2-BT-KIT01-R11
EM RFID Reader		AFL2-EM-RFID-KIT01-R10
Mifare RFID Reader		AFL2-MF-RFID-KIT01-R11
OS: Win XPE (CD-ROM)		AFL2-W10A-CV-XPE-R11
OS: Win 7 Embedded (DVD-ROM)	AFL2-W10A-CV-WES7E-R11 (for Resistive Touch) AFL2-W10A-CV-WES7P-R10 (for Projected Capacitive Touch)	

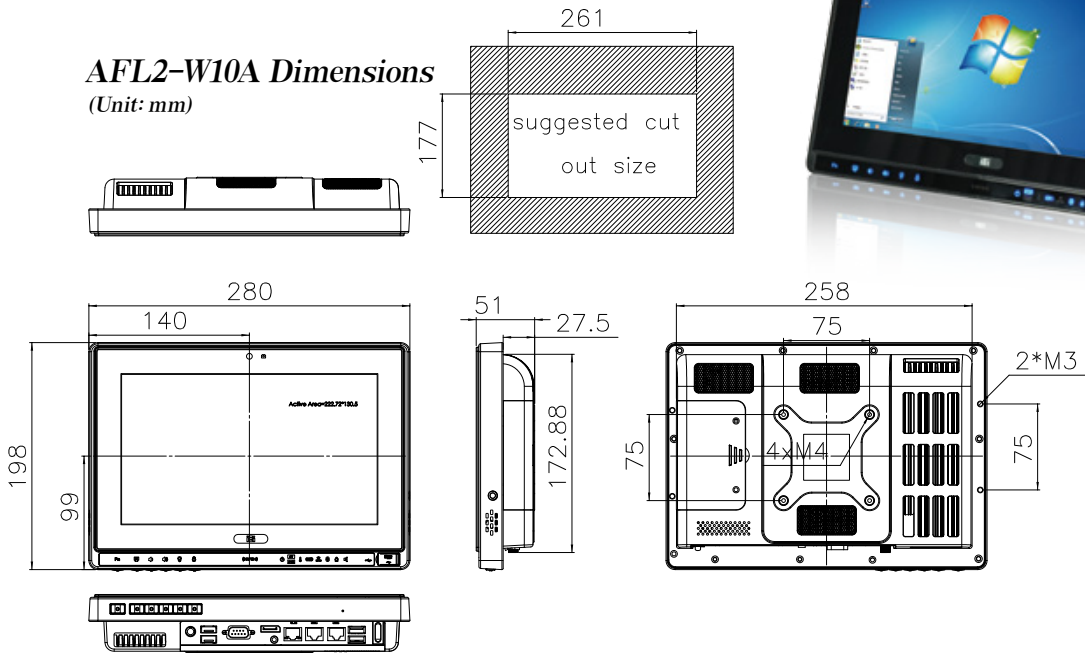
Packing List

Item	P/N	Q'ty	Description
Utility CD		1	drivers and user manual
One Key Recovery CD		1	
Power adapter	63040-010060-130-RS	1	(Meet PSE)
Power cord	32702-000200-100-RS	1	European standard, 1830mm
Power transfer cord	32702-000300-100-RS	1	

Ordering Information

Part Number	Description
AFL2-W10A-N28/R/2G-R10	10.2" 400cd/m ² WSVGA fanless panel PC with Intel® Atom™ cedarview N2800 dual core 1.86GHz, 802.11b/g/n wireless module, resistive touch screen, 2M camera, microphone, 2GB DDR3 RAM, R10
NEW!! AFL2-W10A-N28/PC/2G-R10	10.2" 400cd/m ² WSVGA fanless panel PC with Intel® Atom™ cedarview N2800 dual core 1.86GHz, 802.11b/g/n wireless module, projected capacitive touch screen, 2M camera, microphone, 2GB DDR3 RAM, R10
AFL2-10A-N28/R/2G-R11	10.4" 400cd/m ² SVGA fanless panel PC with Intel® Atom™ cedarview N2800 dual core 1.86GHz, 802.11b/g/n wireless module, resistive touch screen, 2M camera, microphone, 2GB DDR3 RAM, R11

AFL2-W10A Dimensions (Unit: mm)



AFL2-10A Dimensions (Unit: mm)

