

AFL2-W07A-N26

Intel® Atom™ N2600 Dual Core Processor

AFL2-08A-N26

Intel® Atom™ N2600 Dual Core Processor



AFL2-W07A-N26

Features

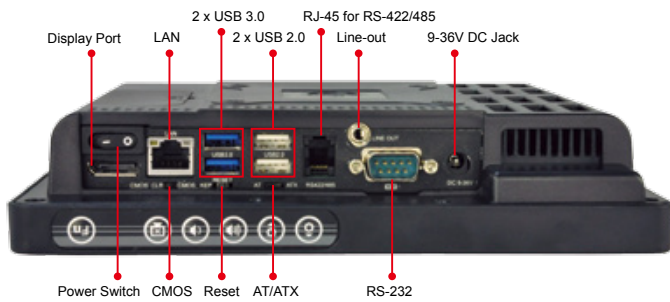
- Flat-bezel LCD with LED backlight
- Intel® Atom™ N2600 dual core 1.6 GHz processor
- One 800 MHz 204-pin DDR3 SO-DIMM slot (system max. 2GB) pre-installed with 2GB
- 5-wire resistive type touch screen supported
- Wi-Fi 802.11b/g/n high speed wireless
- Built-in EM or Mifare RFID reader (optional)
- IP64 compliant front panel
- Auto dimming control

**Specifications**

	Model	AFL2-W07A-N26	AFL2-08A-N26
LCD Specifications	Size	Wide 7"	8"
	Resolution	800 (W) x 480 (H)	800 (W) x 600 (H)
	Brightness (cd/m ²)	400 cd/m ²	350 cd/m ²
	Contrast Ratio	500:1	500:1
	LCD Color	262K/16.2M	16.2 M
	Pixel Pitch (mm)	0.1905 (H) x 0.1905 (V)	0.2025 (H) x 0.2025 (V)
	Viewing Angle (H-V)	160°(H) / 160°(V)	140°(H) / 130°(V)
	Backlight MTBF	50000 hrs (LED backlight)	30000 hrs (LED backlight)
Touch	Touch Screen	5-wire resistive type with RS-232 interface	
	Touch Controller	PenMount DMC9000	
System	CPU	Intel® Atom™ N2600 dual core 1.6 GHz CPU	
	Chipset	Intel® NM10	
	RAM	Support one 800 MHz 204-pin DDR3 SO-DIMM slot (max. 2GB) pre-installed with 2GB	
	Ethernet	Realtek RTL8111E PCIe GbE controller supporting ASF 2.0	
	Audio Codec	Realtek ALC892 HD Audio codec	
	Storage	mSATA	
	Input / Output	1 × RS-232 COM Port (DB-9) 1 × RS-422/485 COM Port (RJ-11) 1 × GbE LAN (RJ-45) 2 × USB 2.0 2 × USB 3.0 1 × Audio jack 1 × Display port	1 × Mini USB 2.0 port on front panel 1 × MicroSD card slot on front panel 1 × Power switch 1 × AT/ATX switch 1 × Reset button 1 × Clear CMOS button 1 × DC input jack
Other Features	Audio	AMP 0.8 W + 0.8 W	
	Camera	2megapixel with low light function	
	Microphone	Digital Microphone	
	RFID Reader	EM 125 KHz or Mifare 13.56 MHz card reader (optional)	
	MSR Card Reader	MSR card reader (optional)	
	OSD Function	LCD on/off, brightness up/down, volume up/down, hotkey	
	Ambient Light Sensor	Yes	
	Infrared Remote Controller	Yes	
System Cooling	Fanless		
Connectivity	Wireless	IEEE 802.11b/g/n module Telec certified	
Physical	Construction Front Panel	PC + ABS plastic front frame	
	Mounting	Wall, Panel, Stand, RACK Mounting and VESA 75 mm x 75mm	
	Color	Black	
	Dimensions (WxHxD)(mm)	208 x 158.5 x 45.9	215 x 188 x 46
	Weight (N/G)	1.12 kg / 2.08 kg	1.43 kg / 2.2 kg
Environment	Operating Temperature (°C) (Ambient with air flow)	-20°C ~ 40°C	
	Storage Temperature (°C)	-20°C ~ 60°C	
	Humidity	10% to 95% (non-condensing)	
	IP Level	IP 64 compliant front panel	
	Safety&EMC	CE / FCC	
Power	Power Supply	36W power adapter Input: 90VAC~264VAC, 50/60 Hz, Output: 12VDC	
	Power Requirement	9 ~ 36 VDC	
	Power Consumption	12V@2.27A (Intel® Atom™ N2600 CPU with 2GB DDR3 memory)	12V@2.27A (Intel® Atom™ N2600 CPU with 2GB DDR3 memory)

AFL2-W07A-2014-V11

Rich I/O Interface



- (Fn) Fn
- (Fn) + (Backlight) Backlight On/Off
- (Fn) + (Speaker) Audio -
- (Fn) + (Speaker) Audio +
- (Fn) + (Brightness) Brightness -
- (Fn) + (Brightness) Brightness +
- (Fn) + (RFID) RFID Enable/Disable
- (Fn) + (Mute) Audio Mute
- (Fn) + (Camera) Camera Enable/Disable
- (Fn) + (USB) Front Side USB Enable/Disable
- (Fn) + (Power) Power On / Off

1 x Mini USB port
1 x MicroSD card slot

AFL2-08A-N26

Options

Item	AFL2-W07A-N26	AFL2-08A-N26
Panel Mounting Kit		AFL2PK-08A
Wall Mounting Kit		AFLWK-12
Rack Mounting Kit	AFL2RK-W07A	AFL2RK-08A
Stand		STAND-B08/STAND-C12-R10 / STAND-100-RS
V-stand		VSTAND-A07-R11
Magnetic stripe reader		AFL2P-08AMSR-U-R10
Bluetooth Module Kit		AFL2-BT-KIT01-R11
EM RFID Reader		AFL2-EM-RFID-KIT01-R10
Mifare RFID Reader		AFL2-MF-RFID-KIT01-R11
OS: Win XPE (CD-ROM)		AFL2-W07A-CV-XPE-R12
OS: Win 7 Embedded (DVD-ROM)		AFL2-W07A-CV-WES7E-R12 (for Resistive Touch)

Packing List

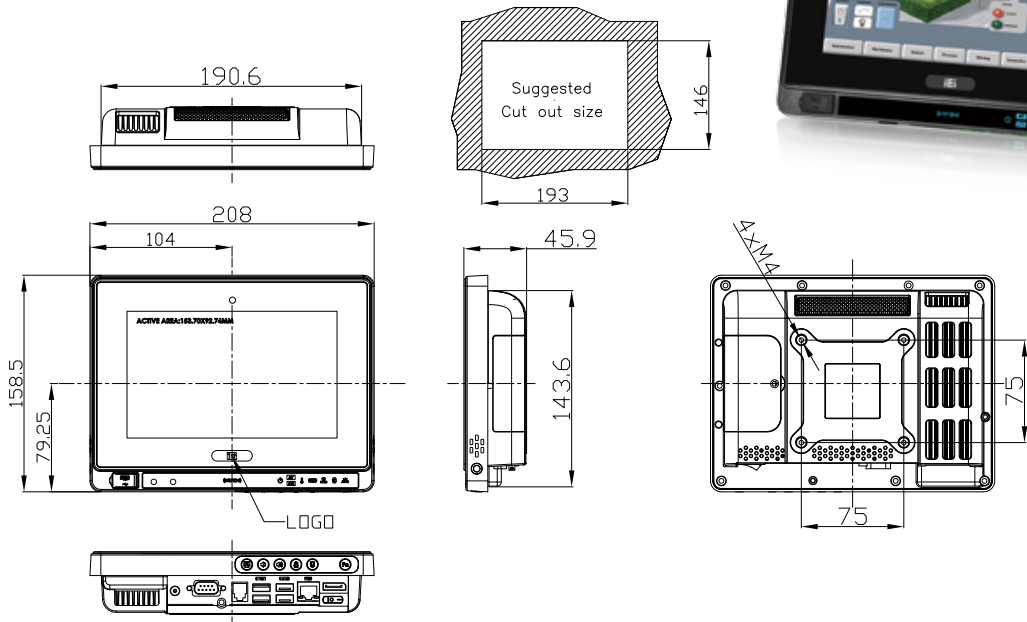
Item	P/N	Q'ty	Description
Utility CD	7B000-000889-RS	1	drivers and user manual
One Key Recovery CD		1	
Power adapter	63040-010036-111-RS	1	90VAC~264VAC, 50/60 Hz, Output: 12VDC, 36W (Meet PSE)
Power cord	32000-000002-RS	1	European standard, 1830mm
RJ-11 to DB-9 COM port cable		1	
IR remote controller	7Z000-SLPCB001-RS	1	
Pen	43125-0002C0-00-RS	1	For Resistive Touch

Ordering Information

Part No.	Description
AFL2-W07A-N26/R/2G-R12	7" 400 cd/m ² WVGA fanless panel PC with Intel® Atom™ N2600 dual core 1.6GHz, 802.11b/g/n wireless module, resistive touch screen, microphone, 2megapixel webcam, 2GB DDR3 RAM, R12
AFL2-08A-N26/R/2G-R12	8" 350 cd/m ² SVGA fanless panel PC with Intel® Atom™ N2600 dual core 1.6GHz, 802.11b/g/n wireless module, resistive touch screen, microphone, 2megapixel webcam, 2GB DDR3 RAM, R12

AFL2-W07A Dimensions

(Unit: mm)



AFL2-08A Dimensions

(Unit: mm)

